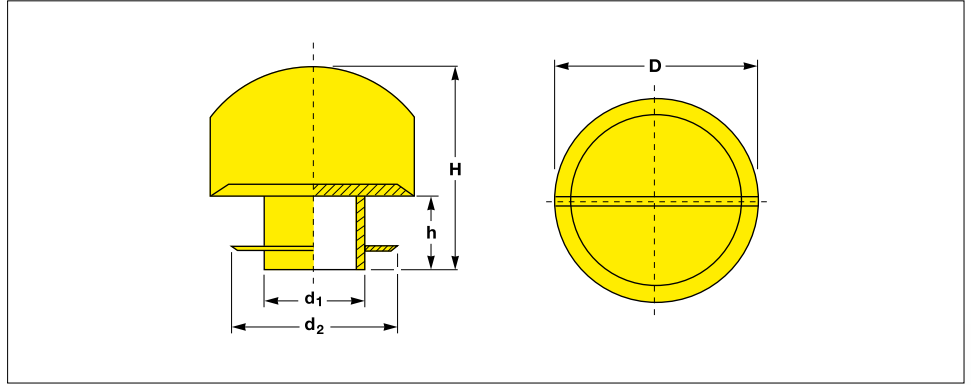


# Snap-Fit Grip Plugs

Single turn gives tight fit once pushed into position  
Designed with flexible fins each plug covers a wide range of threads



All dimensions in mm

D	d <sub>1</sub>	d <sub>2</sub>	h	H	Reference-No.
15.8	8.0	12.9	6.0	16.0	EP 350 / P 8.0 - G 13
19.9	11.5	16.6	6.0	15.6	EP 350 / P 11.5 - G 16
22.6	15.5	21.3	7.9	17.7	EP 350 / P 15.5 - G 21
25.5	17.5	22.5	8.0	19.8	EP 350 / P 17.5 - G 22
27.5	20.0	24.0	9.1	20.9	EP 350 / P 20.0 - G 23
29.5	20.5	26.0	8.8	21.0	EP 350 / P 20.5 - G 25
34.5	22.5	27.4	9.1	21.0	EP 350 / P 22.5 - G 28
37.6	24.5	30.2	9.0	21.0	EP 350 / P 24.5 - G 30
43.2	28.0	34.0	10.0	24.9	EP 350 / P 28.0 - G 33

## Example of application

All dimensions in mm

Reference No. EP 350/	Metric Thread DIN 13				Whitworth Pipe Thread DIN 259 (DIN ISO 228)	Thread DIN 40430	UN Thread to ANSI/ ASME B1.a -1984	UNC Thread to ANSI/ ASME B1.a -1984	UNC Thread to ANSI/ ASME B1.a -1984	UNC Thread to ANSI/ ASME B1.a -1984
	M 12	M 12×1	M 12×1.5	M 13×1.5						
P 8 -G 13	M 12 M 14	M 12×1 M 13×1	M 12×1.5 M 13×1.5 M 14×1.5		R .1/4"		. 1/ 2"	.1/2"	.1/ 2"	. 1/ 2"
P 11.5 -G 16	M 16 M 18	M 16×1	M 16×1,5		R .3/8"	PG 9	. 9/16" . 5/ 8"	.5/8"	.9/16" .5/ 8"	. 9/16" . 5/ 8"
P 15.5 -G 21	M 20 M 22	M 20×1 M 21×1	M 18×1.5 M 20×1.5 M 21×1.5	M 20×2 M 21×2	R .1/2"		. 3/ 4" .13/16"	.3/4"	.3/ 4" .7/ 8"	. 3/ 4" .13/16"
P 17.5 -G 22	M 22		M 22×1,5	M 22×2	R .5/8"		. 7/ 8"	.7/8"	.7/ 8"	. 7/ 8"
P 20 -G 23	M 24		M 24×1.5	M 24×2		PG 16	.15/16"			.15/16"
P 20.5 -G 25	M 27		M 24×1.5 M 25×1.5 M 26×1.5		R .3/4"		1." 1. 1/16		1."	1."
P 22.5 -G 28	M 28	M 28×1	M 28×1.5	M 28×2		PG 21	1. 1/ 8"		1.1/ 8"	1. 1/ 8"
P 24.5 -G 30	M 30	M 28×1	M 30×1.5	M 30×2	R .7/8"		1. 3/16"			1. 3/16"
P 28 -G 33	M 36		M 33×1.5	M 33×2	R 1."					

**Material :**  
LLD-PE,  
linear low density polyethylene

**Standard Colour :**  
yellow

Single turn gives tight fit once  
pushed into position.

Designed with flexible fins each plug  
covers a wide range of threads.

Think Plastic. Go Protec.®

**PROTEC**  
**PLASTICS**

Should your requirements not be shown please ask for separate quotation.  
PROTEC products and specifications are subject to improvement and change without notice.

# Snap-Fit Grip Plugs

Single turn gives tight fit once pushed into position  
Designed with flexible fins each plug covers a wide range of threads

## TRIPLE ADVANTAGE of PROTEC CAPTOP®

**QUALITY.** Single turn gives tight fit once pushed into position.  
Designed with flexible fins each plug covers a wide range of threads.

**AVAILABILITY.** With over 400 million moulded components shipped from our Oststeinbek / Hamburg logistics center we provide the fastest on time delivery service to all markets and industries.

**PHILOSOPHY.** Innovative protective closures at the best price in the market.



CAPTOP®



**Material :**  
LLD-PE,  
linear low density polyethylene

**Standard Colour :**  
yellow

**Individual Productions :**  
On request we develop and produce individually tailored solutions next to the standard items of this range: additional dimensions, different materials and new colours

We would be pleased to advise you.

Think Plastic. Go Protec.®

**PROTEC**  
**PLASTICS**