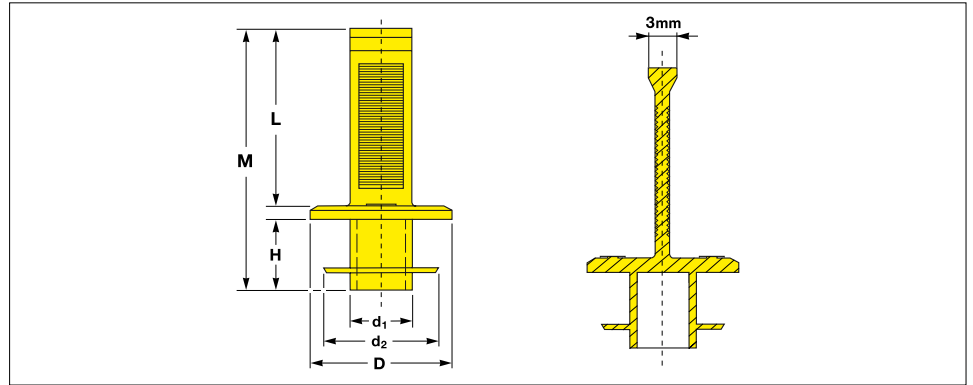


# Pull Tab Hose Plugs

Pull Tab Hose Plugs are ideal for plugging Steel pipes, Plastic pipes and hydraulic hoses  
 Large Pull Tab allows easy removal

EX STOCK  
 400m  
 Parts  
 DELIVERY SERVICE



#### Material :

LLD-PE,  
 linear low density polyethylene

#### Standard Colour :

yellow

Protec Captop Pull Tab Hose Plugs feature a large pull tab which allows easy removal. Pull Tab Hose Plugs are ideal for plugging Steel pipes, Plastic pipes and hydraulic hoses , and they feature flexible rib design which provides comfortable fit without stretching the hose.

The yellow LLD-PE material in Pull Tab Hose Plugs provides good tensile strength, toughness and tension-free flexibility

Think Plastic. Go Protec.®

**PROTEC**  
**PLASTICS**

All dimensions in mm

Pipe			Pull Tab Hose Plugs						Reference No.
Ø Ext.	Ø Int.		D	d <sub>1</sub>	d <sub>2</sub>	H	L	M	
D	min.	max.	Flange	Body	Rib	Depth	Pull-Tab	Overall Height	
12.0	8.3	8.9	11.85	5.0	10.2	8.0	20.0	29.5	EP 330 / L 12
16.0	10.4	11.9	15.85	7.0	13.2	8.0	20.0	29.5	EP 330 / L 16
20.0	13.8	14.7	19.85	10.0	16.0	8.0	20.0	29.5	EP 330 / L 20
25.0	17.0	18.2	24.85	13.0	19.5	8.0	20.0	29.5	EP 330 / L 25
32.0	22.0	23.5	29.85	18.0	24.8	8.0	20.0	29.5	EP 330 / L 32
40.0	27.2	29.4	39.85	23.0	31.0	12.0	20.0	33.5	EP 330 / L 40
50.0	35.7	37.1	49.85	31.0	38.7	12.0	20.0	33.5	EP 330 / L 50
63.0	44.3	46.1	62.85	40.0	47.7	12.0	20.0	33.5	EP 330 / L 63

Should your requirements not be shown please ask for separate quotation.  
 PROTEC products and specifications are subject to improvement and change without notice.

# Pull Tab Hose Plugs

Pull Tab Hose Plugs are ideal for plugging Steel pipes, Plastic pipes and hydraulic hoses  
Large Pull Tab allows easy removal

## TRIPLE ADVANTAGE of PROTEC CAPTOP®

**QUALITY.** Protec Captop Pull Tab Hose Plugs feature a large pull tab which allows easy removal. Pull Tab Hose Plugs are ideal for plugging Steel pipes, Plastic pipes and hydraulic hoses, and they feature flexible rib design which provides comfortable fit without stretching the hose. The yellow LLD-PE material in Pull Tab Hose Plugs provides good tensile strength, toughness and tension-free flexibility

**AVAILABILITY.** With over 400 million moulded components shipped from our Oststeinbek / Hamburg logistics center we provide the fastest on time delivery service to all markets and industries.

**PHILOSOPHY.** Innovative protective closures at the best price in the market.



CAPTOP®



**NEW**

**Material :**  
LLD-PE,  
linear low density polyethylene

**Standard Colour :**  
yellow

**Individual Productions :**  
On request we develop and produce individually tailored solutions next to the standard items of this range: additional dimensions, different materials and new colours

We would be pleased to advise you.

Think Plastic. Go Protec.®

**PROTEC  
PLASTICS**