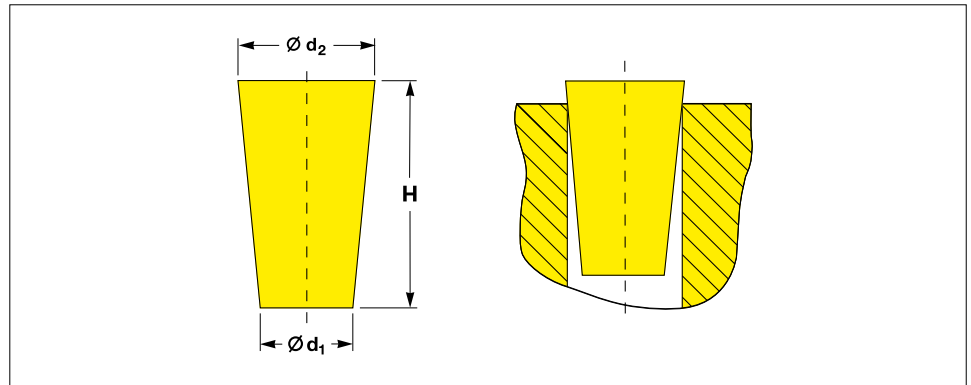


High Temperature Tapered Silicon Plugs

These High Temperature Silicone Rubber Plugs have a tapered design for ease in plugging ports and holes in parts undergoing abrasive high temperature processing. They withstand temperatures up to 600°F / 316°C



All dimensions in mm

d ₁	d ₂	H	Reference No.
0.4	1.6	15.6	EP 275 / 0416
0.5	2.0	19.0	EP 275 / 0520
0.8	3.2	15.4	EP 275 / 0832
1.2	4.8	57.0	EP 275 / 1248 / 57
1.2	5.5	38.0	EP 275 / 1255 / 38
1.6	3.2	16.0	EP 275 / 1632
1.6	4.8	15.9	EP 275 / 1648
1.6	4.8	19.0	EP 275 / 1648 / 19
3.2	6.3	19.0	EP 275 / 3263
3.2	6.4	25.4	EP 275 / 3264 / 25
4.8	8.7	16.0	EP 275 / 4887
4.8	8.7	25.5	EP 275 / 4887 / 25
6.3	9.5	12.7	EP 275 / 6395 / 127
6.3	9.5	17.5	EP 275 / 6395
6.3	11.0	25.5	EP 275 / 6311 / 25
8.0	14.0	25.4	EP 275 / 8014 / 25
8.0	14.0	28.2	EP 275 / 8014 / 29
9.0	12.0	17.7	EP 275 / 9012
9.0	12.0	21.0	EP 275 / 9012 / 21
10.4	15.0	25.5	EP 275 / 1015
11.0	16.0	22.0	EP 275 / 1116
11.0	17.5	25.8	EP 275 / 1118
13.0	17.0	25.7	EP 275 / 1317
14.0	19.0	14.6	EP 275 / 1419 / 14
14.0	19.0	25.8	EP 275 / 1419
16.0	20.0	16.3	EP 275 / 1620 / 16
16.0	19.5	25.9	EP 275 / 1620
18.0	24.0	25.6	EP 275 / 1824
19.0	23.4	19.4	EP 275 / 1924
20.0	26.0	25.7	EP 275 / 2026
23.0	27.0	25.8	EP 275 / 2327
24.0	28.0	25.8	EP 275 / 2428
26.0	32.0	25.7	EP 275 / 2632
27.0	34.0	25.8	EP 275 / 2734

Material :

Pro-Sicon, temperature resistance up to 600° F / 316° C

Standard Colour :

natural

Smaller sizes are solid while larger parts have a hollow design. Recommended for powder-coating, paint spraying, plating and anodising. Reusable.

Think Plastic. Go Protec.®

PROTEC
PLASTICS

Should your requirements not be shown please ask for separate quotation.
PROTEC products and specifications are subject to improvement and change without notice.

High Temperature Tapered Silicon Plugs

These High Temperature Silicone Rubber Plugs have a tapered design for ease in plugging ports and holes in parts undergoing abrasive high temperature processing. They withstand temperatures up to 600°F / 316°C

TRIPLE ADVANTAGE of PROTEC CAPTOP®

QUALITY. Smaller sizes are solid while larger parts have a hollow design. Recommended for powder-coating, paint spraying, plating and anodising. Reusable.

AVAILABILITY. With over 400 million moulded components shipped from our Oststeinbek / Hamburg logistics center we provide the fastest on time delivery service to all markets and industries.

PHILOSOPHY. Innovative protective closures at the best price in the market.



CAPTOP®



High temperature
resistant to 316° C

All dimensions in mm

d ₁	d ₂	H	Reference No.
30.0	37.0	26.0	EP 275 / 3037
31.0	39.0	25.5	EP 275 / 3139
33.0	41.0	25.0	EP 275 / 3341
36.0	43.0	26.0	EP 275 / 3643
37.0	45.0	25.0	EP 275 / 3745
38.0	40.0	25.0	EP 275 / 3840
42.0	50.0	25.5	EP 275 / 4250
45.0	53.0	25.0	EP 275 / 4553
48.0	56.0	25.8	EP 275 / 4856
50.0	63.0	25.9	EP 275 / 5063
54.0	64.0	26.0	EP 275 / 5464
58.0	68.0	25.8	EP 275 / 5868
62.0	75.0	35.7	EP 275 / 6275
76.0	89.0	39.1	EP 275 / 7689
83.0	102.0	38.0	EP 275 / 83102
89.0	127.0	51.0	EP 275 / 89127

Material :

Pro-Sicon, temperature resistance up to 600° F / 316° C

Standard Colour :

natural

Individual Productions :

On request we develop and produce individually tailored solutions next to the standard items of this range: additional dimensions, different materials and new colours

We would be pleased to advise you.

Think Plastic. Go Protec.®

PROTEC
PLASTICS

Should your requirements not be shown please ask for separate quotation.
PROTEC products and specifications are subject to improvement and change without notice.